

# ROCO 1200S



**SPECIFICATION SHEET**



1200S

## ROCO 1200S

With one of the largest Screening Areas for a Compact Scalper, The 1200s is supersized to handle any Scalp Screening Application. With a large choice on media selection, from finger tines, Heavy Duty Punch-plate or Heavy Duty Mesh the 1200s is ready to screen soils , construction and demolition waste, aggregate, wood-chip and sticky Material at ease .With the added Chassis Riser the 1200s is the perfect choice for rental fleet, skip yards, recycling centers or handling crusher feed.

## Working Dimensions

Length:	11.54m / (37ft 7")
Width:	11.25m / (36ft 9")
Height:	3.7m / (12ft 1")

## Transport Dimensions

Length:	9.9m / (32ft 5")
Width:	2.30m / (7ft 6")
Height:	3.10m / (10ft 1")

**Container friendly**

## Operating Weight

Weight:	15,600kg/17.2 USTON/34400lbs
---------	------------------------------

## Hopper

Width:	1.9m (6ft3")
Length:	3.55m (11ft8")
Max volume:	4.5m <sup>3</sup> (5.9yd <sup>3</sup> )

## Screenbox

Top Deck:	10ftx4ft (3mx1.2m)
Bottom Deck:	10ftx4ft (3mx1.2m)
Angle :	15° fixed



## Feeder Belt

Width: 1050mm(42")  
Type: Plain Belt Only  
Control: Variable Speed

## Fines Belt

Width: 650mm(26")  
Discharge Height: 3.1m(10ft1")  
Control: Variable speed

## Mids Belt

Width: 650mm(26")  
Discharge Height: 2.8m(9ft1")  
Control: Variable speed

## OverSize Belt

Width: 900mm(36")  
Discharge Height: 3.1m(10ft1")  
Control: Variable Speed

## Collection Belt

Width: 1050mm(42")  
Control: Constant

## Tracks

Width: 300mm (Shoes)  
Speed: 1km/h

## Performance

Max feed size: 350mm / 12"  
 Protential output: 220tph / 242tph US

## Electrics

Emergency stops: Yes, Including tracking controls  
 Start Siren: Yes  
 Flashing Beacon: Yes  
 Safety Switches: Yes

## Spec options

1. Top deck: Finger tines, bofor bar, punch plate or mesh
2. Galvanized Catwalk
3. Radio remote control

## Power unit Options

- Tier 3 - JCB 444 DieselMAX 63Kw - ROW
- Tier 4F - JCB444 EcoMAX - 55Kw - USA
- Stage V - T.Deutz 2.9L4 - 50Kw - EU



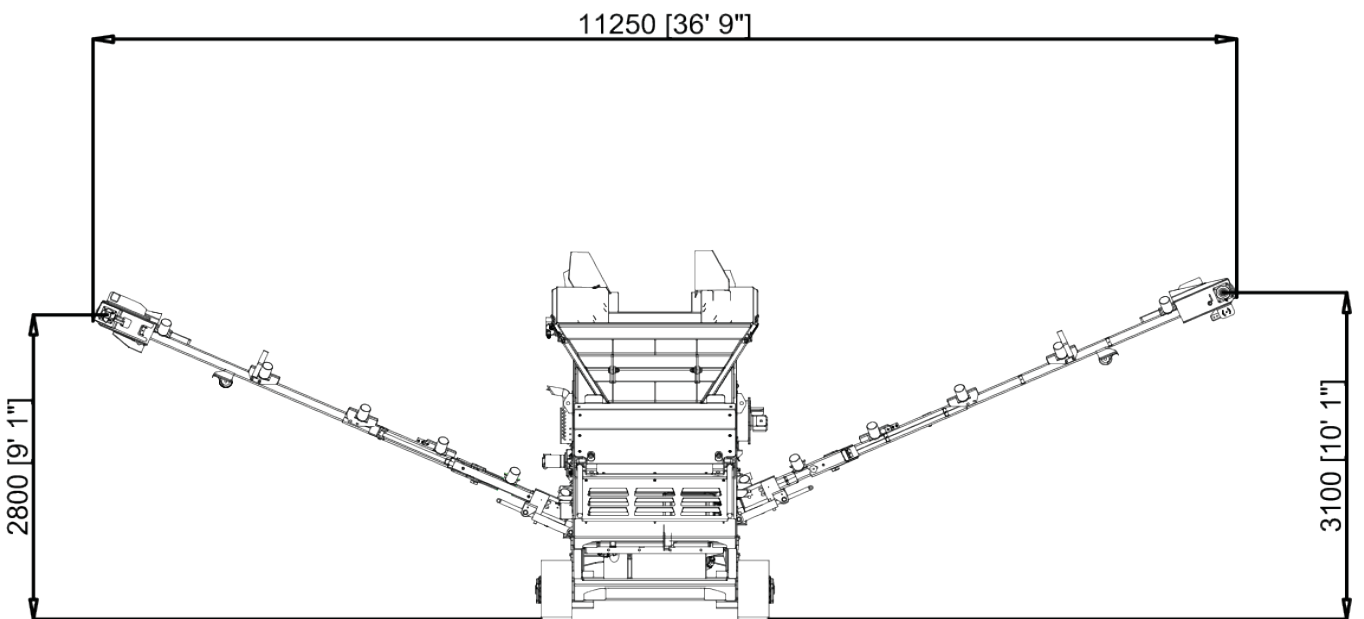
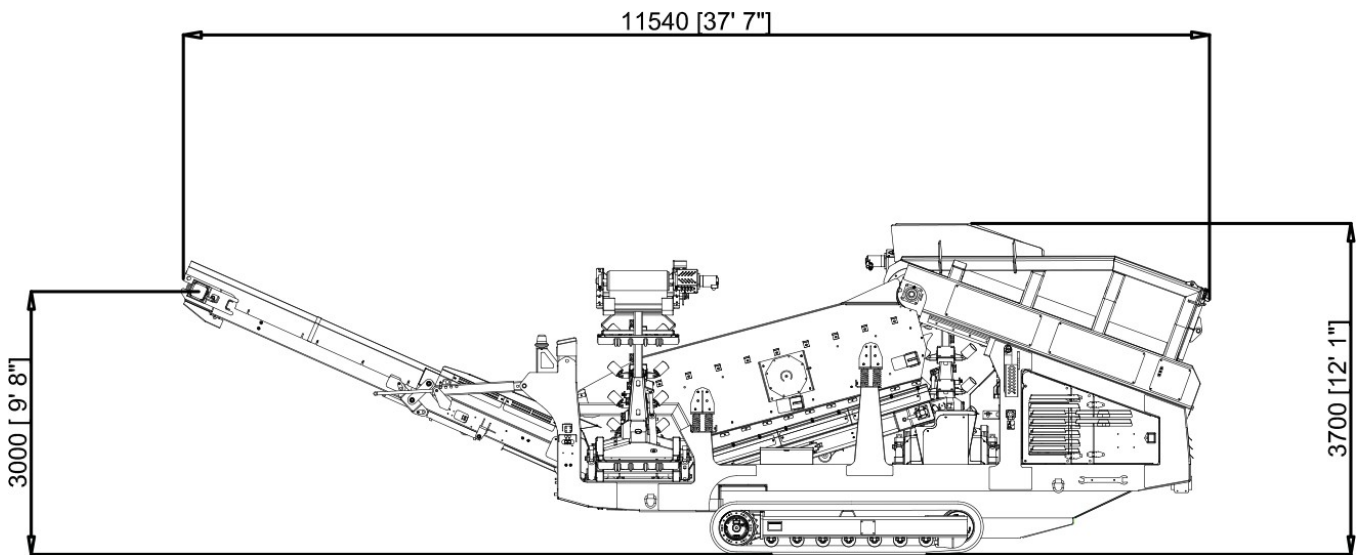


## Safety Features

- External Grease Points at Ground Level(Piped).
- Engine Safety Shutdown Sensors to Oil, Level Over-speed, Water Level / Over Heating.
- CE Compliance Complete with Certificate.
- Safety Decals Installed Highlighting Danger Points.
- Nip Points Highlighted.
- Lockable Shutdown / Isolator Switch.
- All Return Rollers Safety Guarded.
- Emergency stop switches installed (Dog-lead, Main chassis Left & right)
- Full Hardback User Manual & Parts Manual and USB Key Provided.
- Flashing Light and Warning Siren.
- Ground level Maintenance.
- Delayed Tracking.



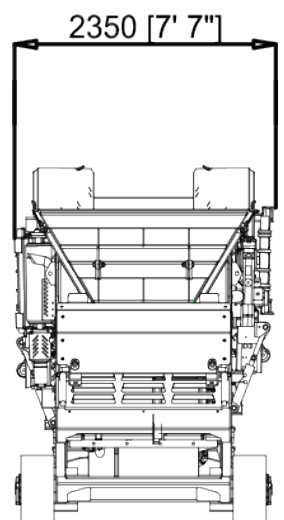
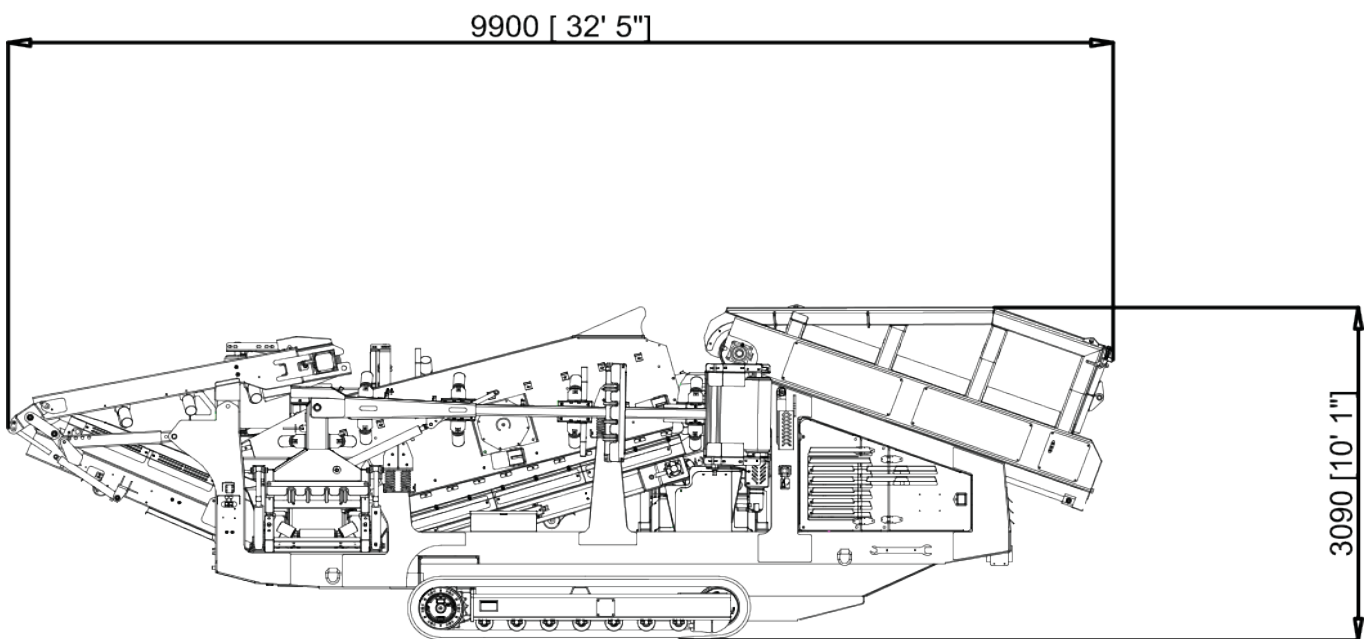
## Working Position





## Transport Position

## Container Friendly 40FT HC



# ROCO



205A Concession Road  
Crossmaglen, Newry  
Co. Armagh, Northern Ireland  
BT35 9JD

T +44 28 30868833  
E [sales@roco9.com](mailto:sales@roco9.com)

